

**BALDOR® • RELIANCE** 

**Product Information Packet**

**EL11208**

**.5HP,3450RPM,1PH,60HZ,48,3413LC,ODP,F1,N**

Part Detail							
Revision:	E	Status:	PRD/A	Change #:		Proprietary:	No
Type:	AC	Elec. Spec:	34WGR142	CD Diagram:	CD0055	Mfg Plant:	
Mech. Spec:	34F351	Layout:	34LYF351	Poles:	02	Created Date:	03-10-2014
Base:	RG	Eff. Date:	06-19-2019	Leads:	6#18		

Specs			
Catalog Number:	EL11208	Inverter Code:	Not Inverter
Enclosure:	ODP	KVA Code:	L
Frame:	48	Lifting Lugs:	No Lifting Lugs
Frame Material:	Steel	Locked Bearing Indicator:	No Locked Bearing
Output @ Frequency:	.500 HP @ 60 HZ	Motor Lead Quantity/Wire Size:	6 @ 18 AWG
Synchronous Speed @ Frequency:	3600 RPM @ 60 HZ	Motor Lead Exit:	Ko Box
Voltage @ Frequency:	115.0 V @ 60 HZ	Motor Lead Termination:	Flying Leads
	230.0 V @ 60 HZ	Motor Type:	3413LC
XP Class and Group:	None	Mounting Arrangement:	F1
XP Division:	Not Applicable	Power Factor:	91
Agency Approvals:	UR	Product Family:	General Purpose
	CSA	Pulley End Bearing Type:	Ball
Auxillary Box:	No Auxillary Box	Pulley Face Code:	Standard
Auxillary Box Lead Termination:	None	Pulley Shaft Indicator:	Standard
Base Indicator:	Rigid	Rodent Screen:	None
Bearing Grease Type:	Polyrex EM (-20F +300F)	RoHS Status:	ROHS COMPLIANT
Blower:	None	Shaft Extension Location:	Pulley End
Current @ Voltage:	2.500 A @ 230.0 V	Shaft Ground Indicator:	No Shaft Grounding

	4.900 A @ 115.0 V	<b>Shaft Rotation:</b>	Reversible
<b>Design Code:</b>	N	<b>Shaft Slinger Indicator:</b>	No Slinger
<b>Drip Cover:</b>	No Drip Cover	<b>Speed Code:</b>	Single Speed
<b>Duty Rating:</b>	CONT	<b>Motor Standards:</b>	NEMA
<b>Electrically Isolated Bearing:</b>	Not Electrically Isolated	<b>Starting Method:</b>	Direct on line
<b>Feedback Device:</b>	NO FEEDBACK	<b>Thermal Device - Bearing:</b>	None
<b>Front Face Code:</b>	Standard	<b>Thermal Device - Winding:</b>	None
<b>Front Shaft Indicator:</b>	None	<b>Vibration Sensor Indicator:</b>	No Vibration Sensor
<b>Heater Indicator:</b>	No Heater	<b>Winding Thermal 1:</b>	None
<b>Insulation Class:</b>	F	<b>Winding Thermal 2:</b>	None

Nameplate NP3155L												
CAT.NO.	EL11208											
SPEC.	34F351R142G1											
HP	.5											
VOLTS	115/230											
AMP	4.9/2.5											
RPM	3450											
FRAME	48					HZ	60			PH	1	
SER.F.	1.25					CODE	L		DES	N	CL	F
F.L. AVG. EFF.	72.4					PF	91					
RATING	40C AMB-CONT											
CC										USABLE AT 208V		
DE	6203					ODE	6203					
ENCL	ODP					SN						
	SFA 5.8/2.9											

Parts List		
Part Number	Description	Quantity
SA278051	SA 34F351R142G1	1.000 EA
RA264596	RA 34F351R142G1	1.000 EA
OC3025F11	CYL OIL CAP 25MFD/370V	1.000 EA
EC1400A03	ELEC CAP, 400-480 MFD, 125V, 1.81D X 3.	1.000 EA
NS2512A01	INSULATOR, CONDUIT BOX X	1.000 EA
34CB3002A	CB CAST W/.88 DIA HOLE	1.000 EA
51XB1016A07	10-16 X 7/16 HXWSSLD SERTYB	2.000 EA
11XW1032G06	10-32 X .38, TAPTITE II, HEX WSHR SLTD U	1.000 EA
51XW0832A07	8-32 X .44, TAPTITE II, HEX WSHR SLTD SE	2.000 EA
SP1006A01	TERM. BOARD, MODE 35 SW X H-23655	1.000 EA
34EP3210A01SP	FR ENDPLATE, MACH	1.000 EA
34GS5003A01	FOAM SLEEVE, ID = 2 1/16" X 4 3/8"	2.000 EA
34CB3801	CAPACITOR BOX, DIE CAST	1.000 EA
51XB1214A08	12-14 X 1/2HX WS SL SR TYBX	2.000 EA
HW5100A03	WAVY WASHER (W1543-017)	1.000 EA
34EP3212A02	PU ENDPLATE, MODEL 34 OPEN	1.000 EA
XY1032A02	10-32 HEX NUT DIRECTIONAL SERRATION	4.000 EA
34CB4517	CB LID 4 MTG HOLES .22 DIA STAMPED, FOR	1.000 EA
51XW0832A07	8-32 X .44, TAPTITE II, HEX WSHR SLTD SE	4.000 EA
MG1000Y03	MUNSELL 2.53Y 6.70/ 4.60, GLOSS 20,	0.014 GA
85XU0407S04	4X1/4 U DRIVE PIN STAINLESS	2.000 EA
HA3100A44	THRUBOLT 10-32 X 8.000	4.000 EA
SP5056A18	34 TYPE LC STATIONARY SWITCH W/E, O, 8-R	1.000 EA
MN416A01	TAG-INSTAL-MAINT no wire (1200/bx) 3/19	1.000 EA

<b>Parts List (continued)</b>		
<b>Part Number</b>	<b>Description</b>	<b>Quantity</b>
LC0001A01	CONN LABEL / WARNING LABEL (LC0001 / LB1	1.000 EA
NP3155L	ALUM SUPER-E UL CSA CC "SEMS"	1.000 EA
35PA1000	PKG GRP, PRINT PK1008A06	1.000 EA

**AC Induction Motor Performance Data**

Record # 49329 - Typical performance - not guaranteed values

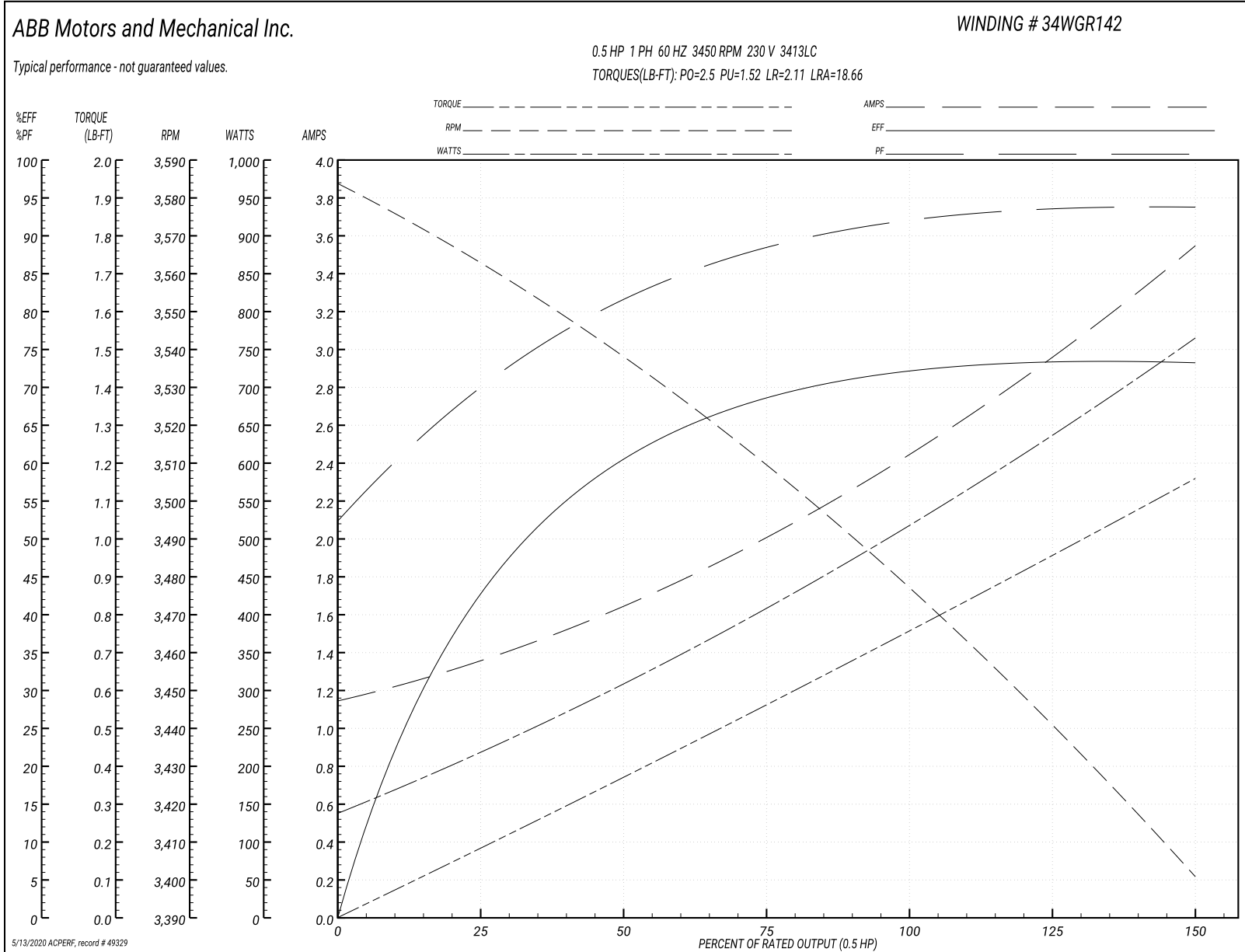
<b>Winding:</b> 34WGR142-R001	<b>Type:</b> 3413LC	<b>Enclosure:</b> OPEN
-------------------------------	---------------------	------------------------

Nameplate Data				230 V, 60 Hz: High Voltage Connection	
Rated Output (HP)	.5			Full Load Torque	0.755 LB-FT
Volts	115/230			Start Configuration	direct on line
Full Load Amps	4.9/2.5			Breakdown Torque	2.5 LB-FT
R.P.M.	3450			Pull-up Torque	1.52 LB-FT
Hz	60	Phase	1	Locked-rotor Torque	2.11 LB-FT
NEMA Design Code	N	KVA Code	L	Starting Current	18.66 A
Service Factor (S.F.)	1.25			No-load Current	1.15 A
NEMA Nom. Eff.	72.4	Power Factor	91	Line-line Res. @ 25°C	4.36 Ω A Ph 4.65 Ω B Ph
Rating - Duty	40C AMB-CONT			Temp. Rise @ Rated Load	21°C
S.F. Amps	5.8/2.9			Temp. Rise @ S.F. Load	25°C
				Rotor inertia	0.0121 LB-FT <sup>2</sup>

Load Characteristics 230 V, 60 Hz, 0.5 HP

% of Rated Load	25	50	75	100	125	150	S.F.
Power Factor	71	83	88	92	93	94	93
Efficiency	42.3	58.9	69.5	73.2	72.8	73.3	72.8
Speed	3562	3535	3512	3481	3436	3402	3436
Line amperes	1.34	1.67	1.99	2.42	3.01	3.53	3.01

Performance Graph at 230V, 60Hz, 0.5HP Typical performance - Not guaranteed values



**AC Induction Motor Performance Data**

Record # 49398 - Typical performance - not guaranteed values

<b>Winding:</b> 34WGR142-R001	<b>Type:</b> 3413LC	<b>Enclosure:</b> OPEN
-------------------------------	---------------------	------------------------

Nameplate Data				115 V, 60 Hz: Low Voltage Connection	
Rated Output (HP)	.5			Full Load Torque	0.755 LB-FT
Volts	115/230			Start Configuration	direct on line
Full Load Amps	4.9/2.5			Breakdown Torque	2.5 LB-FT
R.P.M.	3450			Pull-up Torque	1.78 LB-FT
Hz	60	Phase	1	Locked-rotor Torque	2.47 LB-FT
NEMA Design Code	N	KVA Code	L	Starting Current	38 A
Service Factor (S.F.)	1.25			No-load Current	2.28 A
NEMA Nom. Eff.	72.4	Power Factor	91	Line-line Res. @ 25°C	1.1337 Ω A Ph 4.8491 Ω B Ph
Rating - Duty	40C AMB-CONT			Temp. Rise @ Rated Load	21°C
S.F. Amps	5.8/2.9			Temp. Rise @ S.F. Load	27°C

Load Characteristics 115 V, 60 Hz, 0.5 HP

% of Rated Load	25	50	75	100	125	150	S.F.
Power Factor	70	82	88	91	93	94	93
Efficiency	42.8	59.4	69.9	73.5	73	73.2	73
Speed	3561.5	3535	3512.3	3480.9	3435.5	3401.6	3436
Line amperes	2.67	3.33	3.96	4.83	6	7.05	6

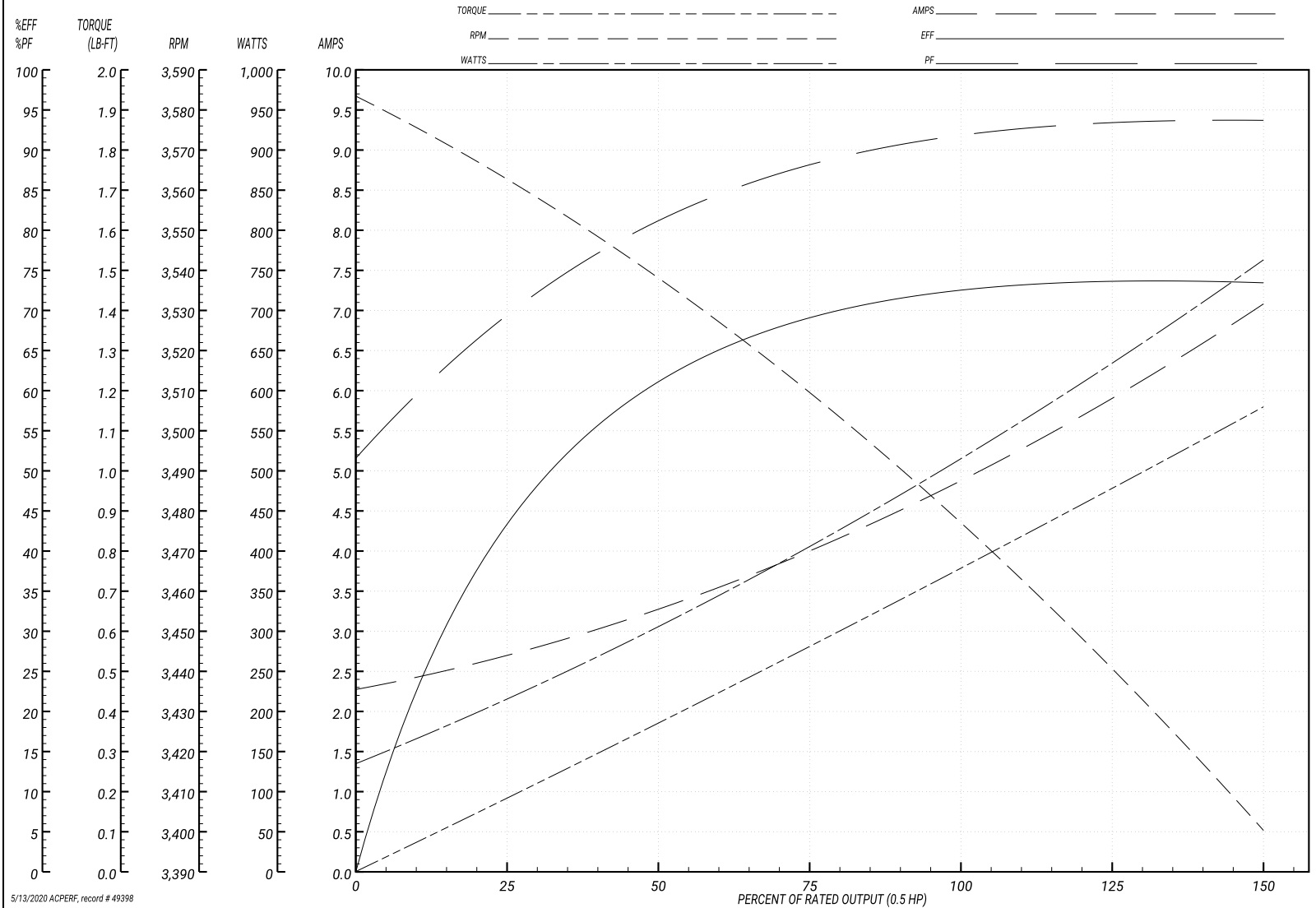
Performance Graph at 115V, 60Hz, 0.5HP Typical performance - Not guaranteed values

ABB Motors and Mechanical Inc.

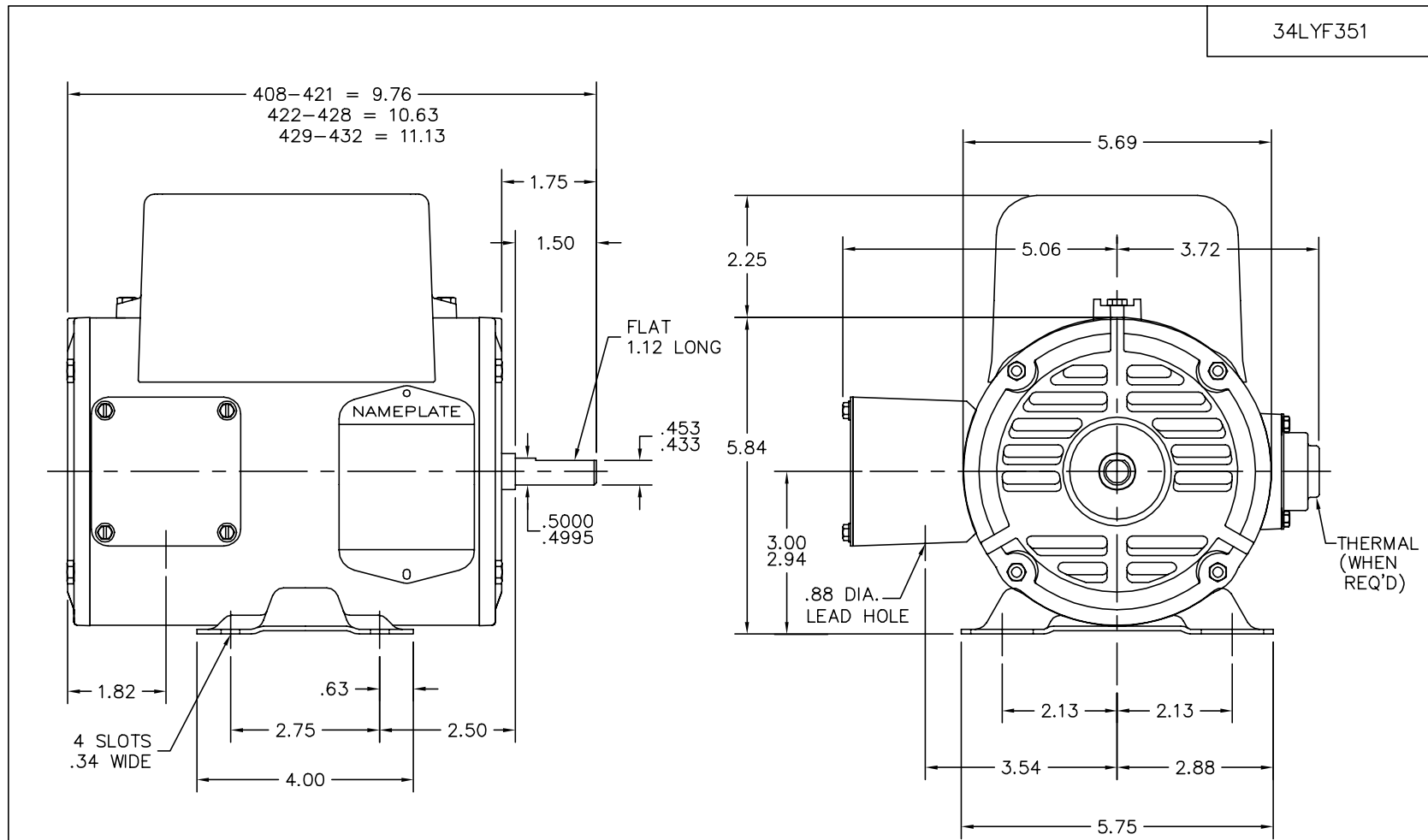
WINDING # 34WGR142

Typical performance - not guaranteed values.

0.5 HP 1 PH 60 HZ 3450 RPM 115 V 3413LC  
 TORQUES(LB-FT): PO=2.5 PU=1.78 LR=2.47 LRA=38



5/13/2020 ACPERF, record # 49398



CUSTOMER IS RESPONSIBLE FOR DETERMINING THAT MOTOR PERFORMANCE IS SUITABLE IN THE APPLICATION.

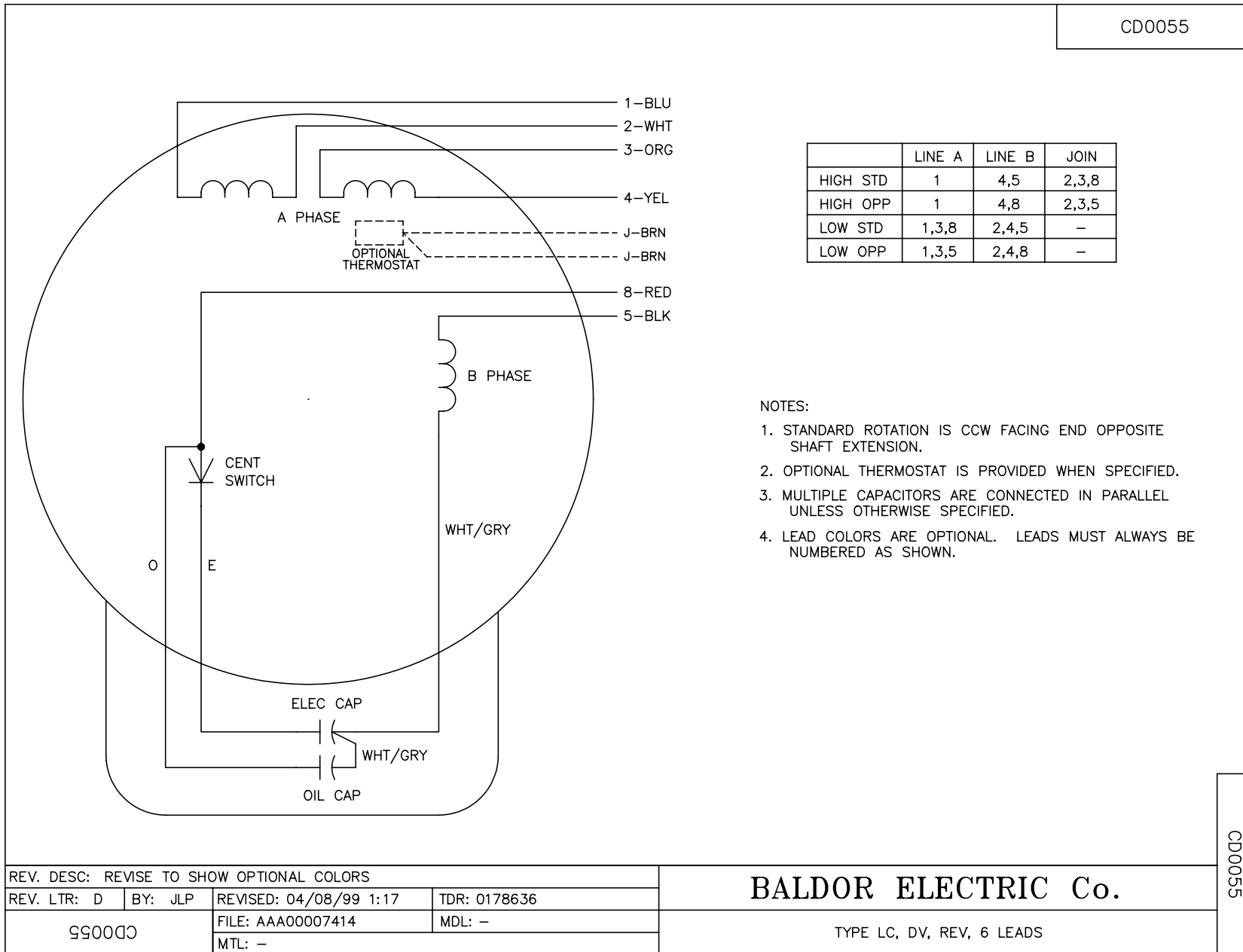
REV. DESC: DIM: KOBX LOC FROM ODE TO THE CENTERLINE OF KOBX		
REV. LTR: C	VERSION: 02	TDR: 000000386903
FILE: \AAA\00037\242	REVISED: 11:20:24 01/26/2006	
MTL: -	BY: ENMARW1	

**BALDOR ELECTRIC Co.**

STD HOR 34LC NEMA 48 OPEN

34LYF351

CD0055



NOTES:

1. STANDARD ROTATION IS CCW FACING END OPPOSITE SHAFT EXTENSION.
2. OPTIONAL THERMOSTAT IS PROVIDED WHEN SPECIFIED.
3. MULTIPLE CAPACITORS ARE CONNECTED IN PARALLEL UNLESS OTHERWISE SPECIFIED.
4. LEAD COLORS ARE OPTIONAL. LEADS MUST ALWAYS BE NUMBERED AS SHOWN.

REV. DESC: REVISE TO SHOW OPTIONAL COLORS			
REV. LTR: D	BY: JLP	REVISED: 04/08/99 1:17	TDR: 0178636
990000		FILE: AAA00007414	MDL: -
		MTL: -	

**BALDOR ELECTRIC Co.**

TYPE LC, DV, REV, 6 LEADS

CD0055